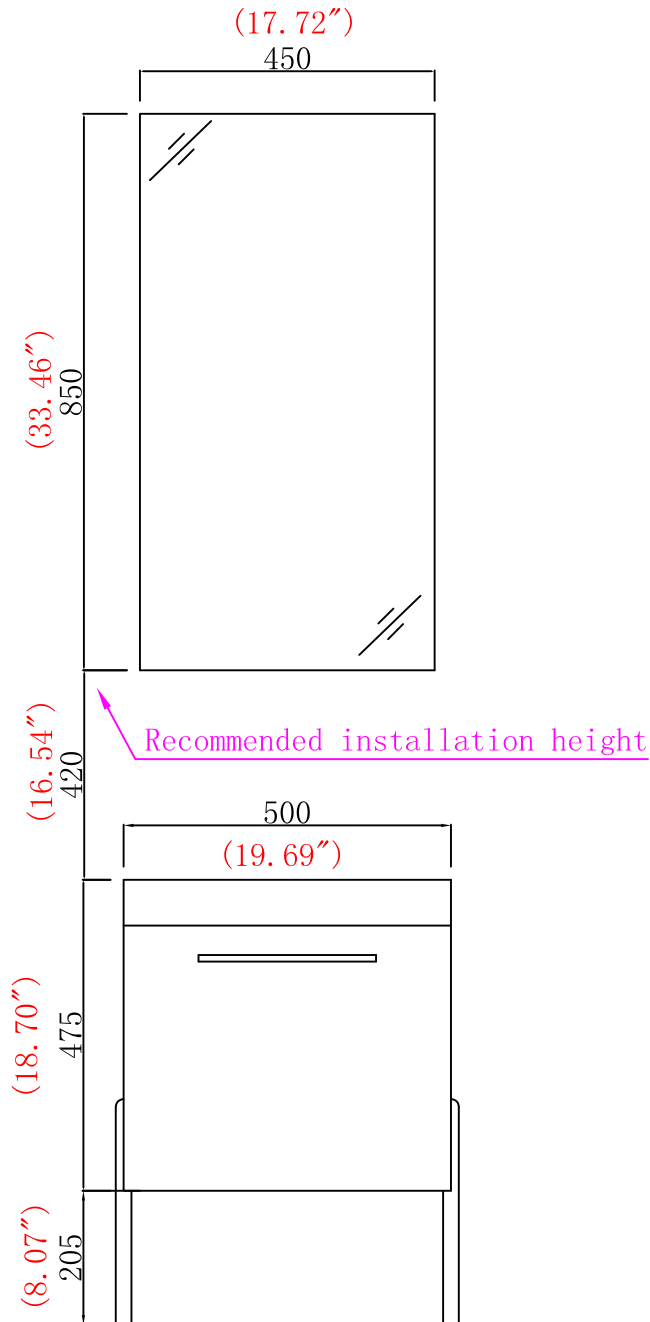

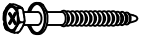



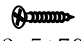


Item No. :CA20

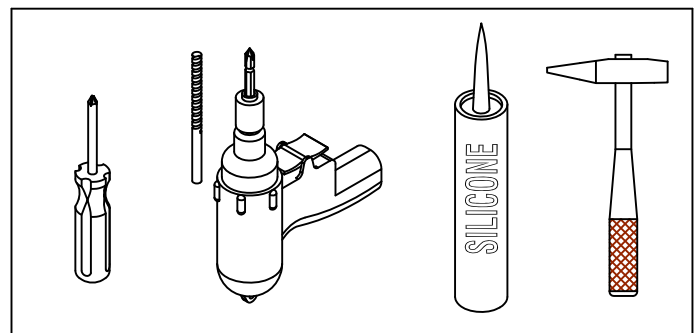


Hardware

NO.	Draw	QTY
A		2
B		2
C		2
D	 (3.5*14mm)	8
E		4
F	 (3.5*70mm)	4

FLOOR

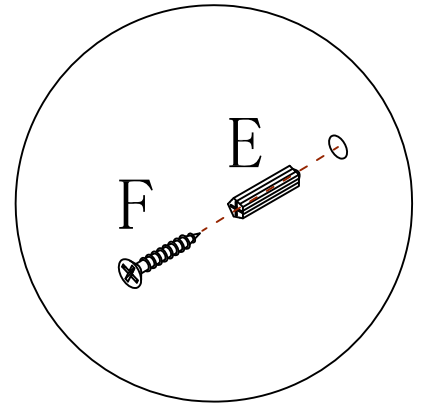
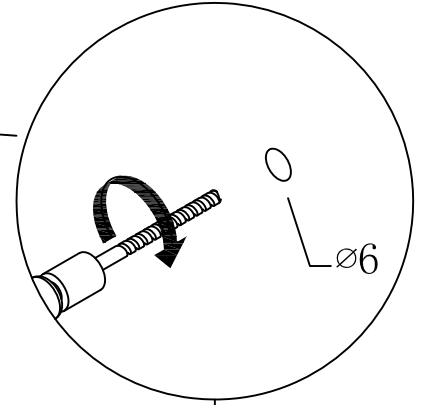
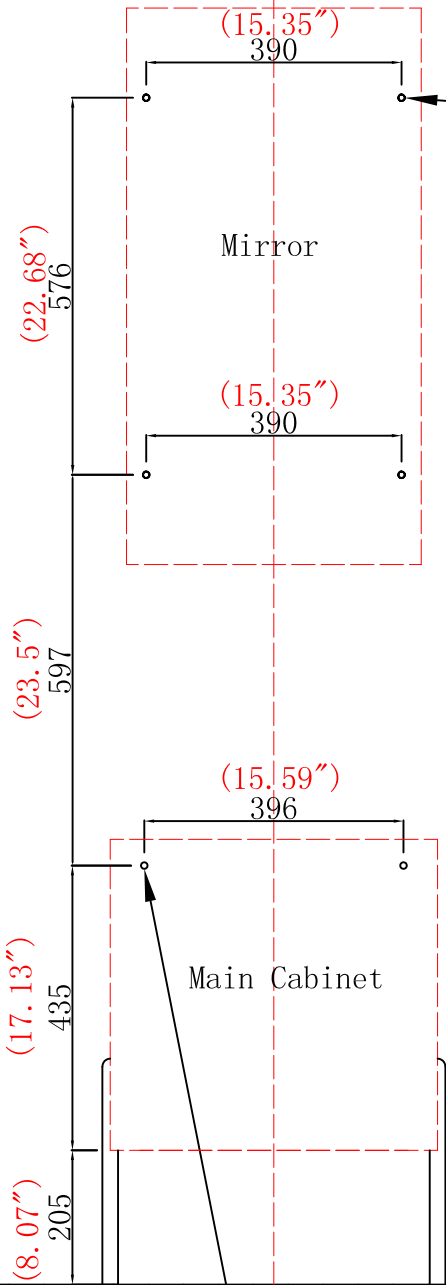
Tools



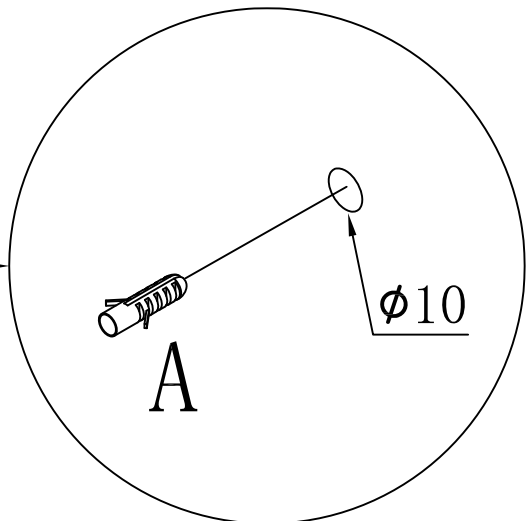
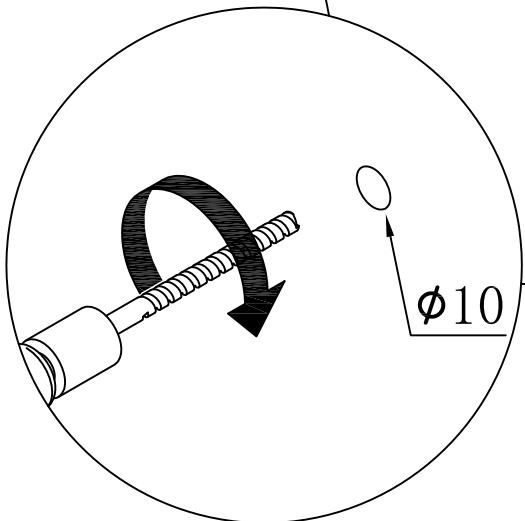
Step 1

Center Line

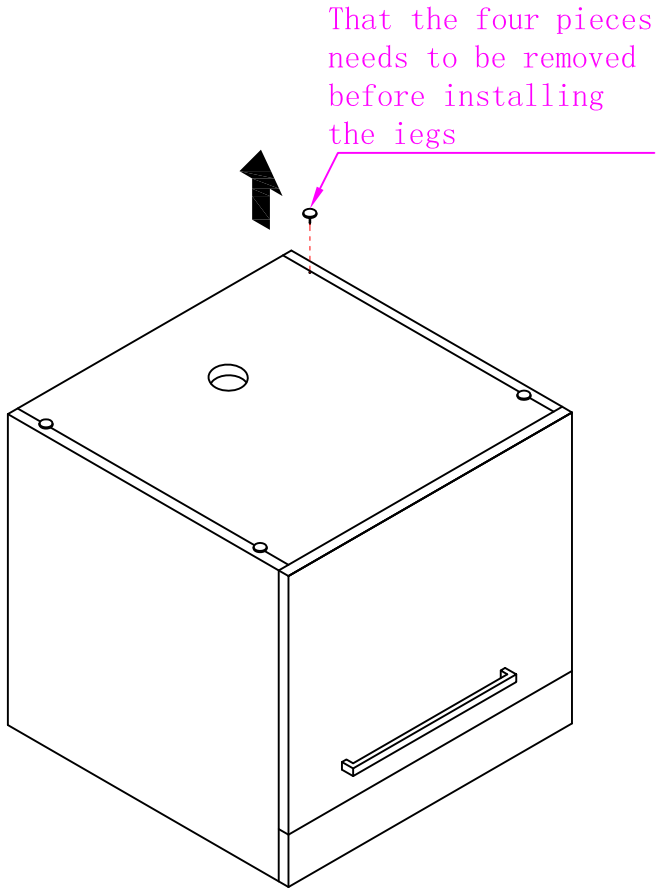
WALL



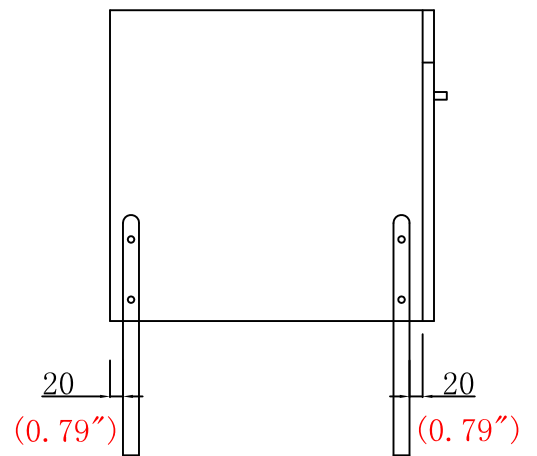
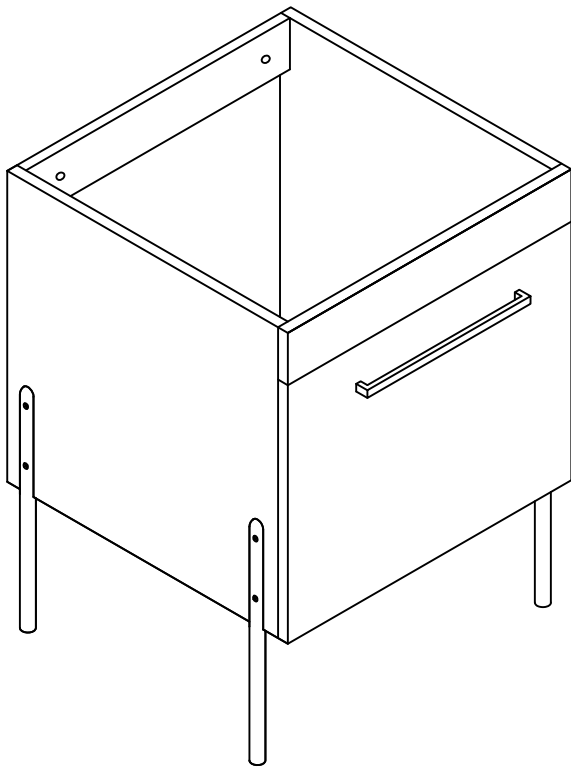
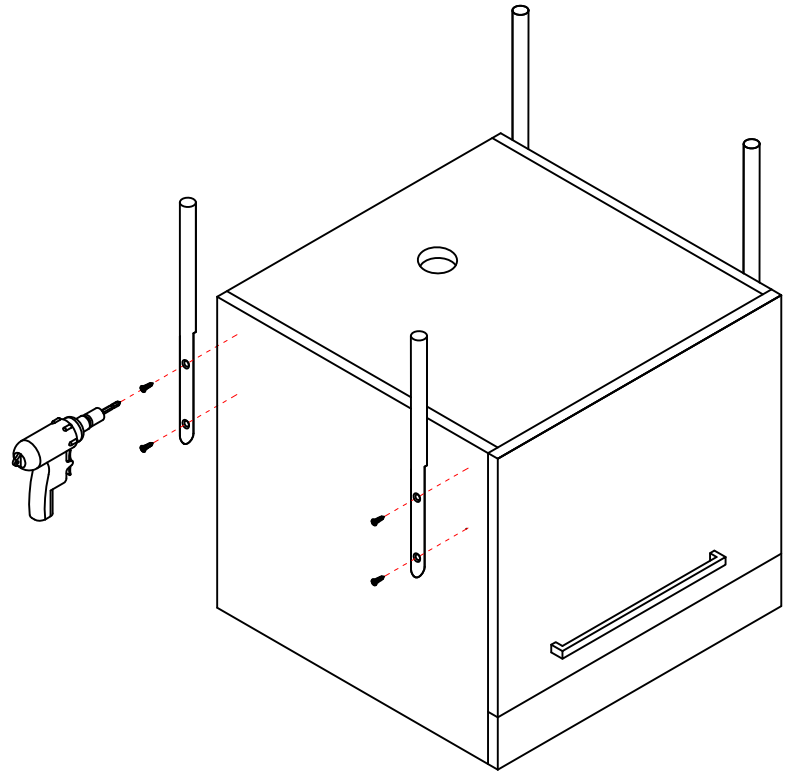
FLOOR



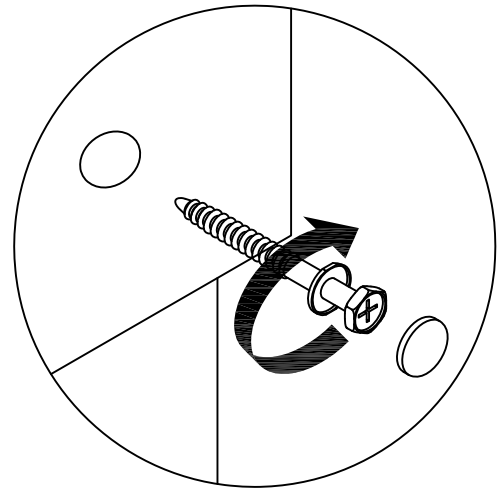
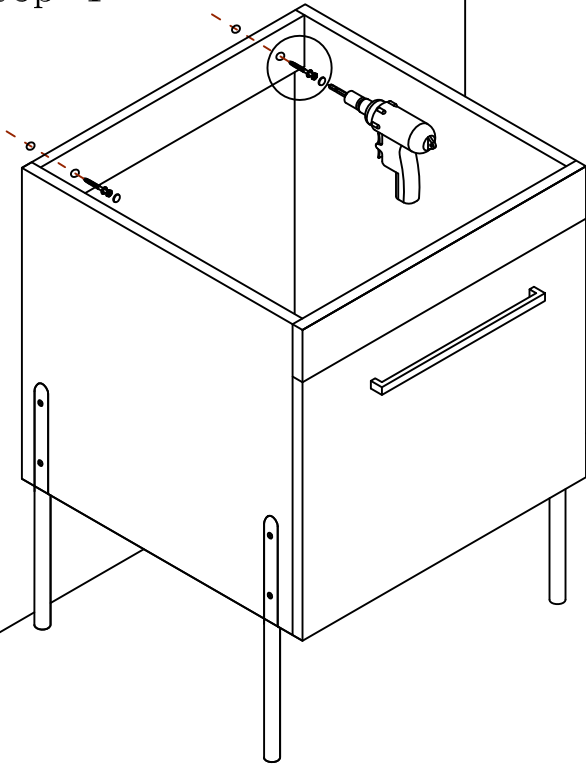
Step 2



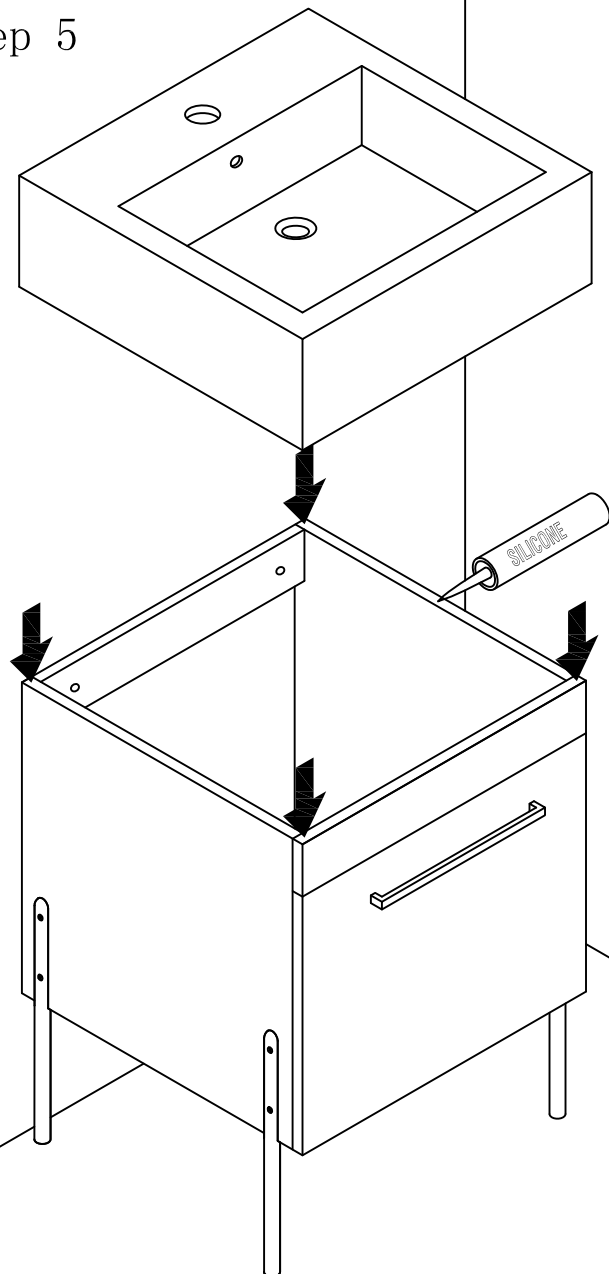
Step 3



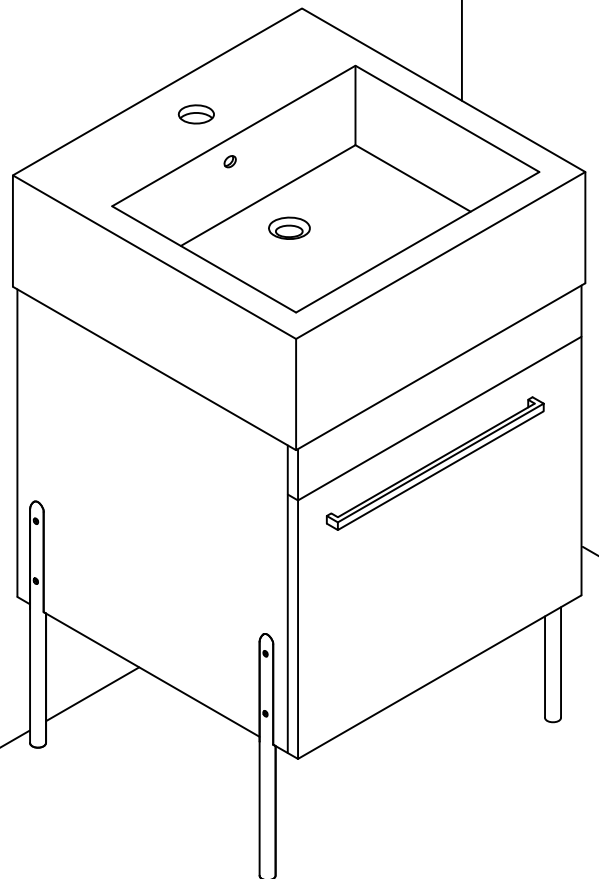
Step 4



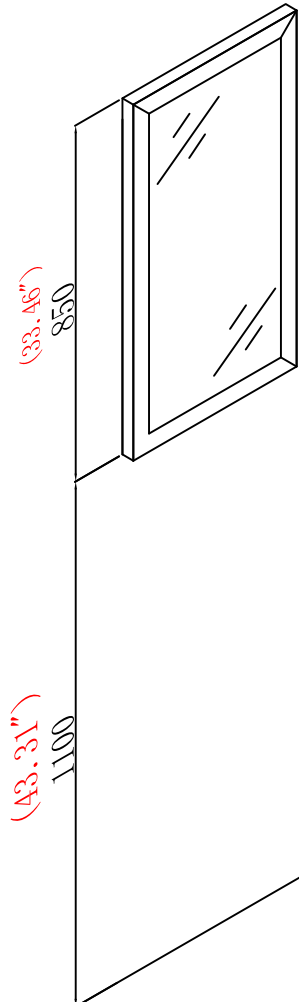
Step 5



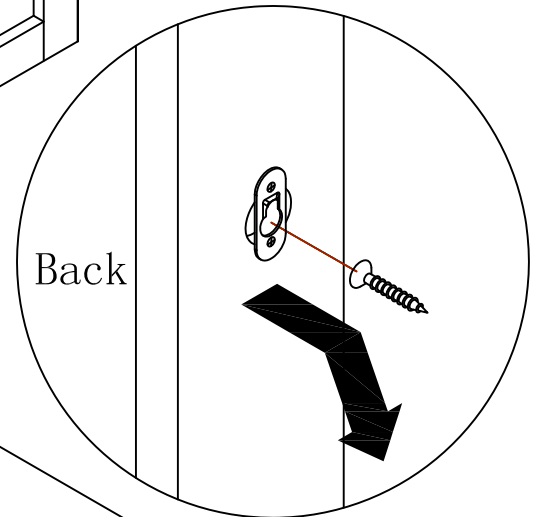
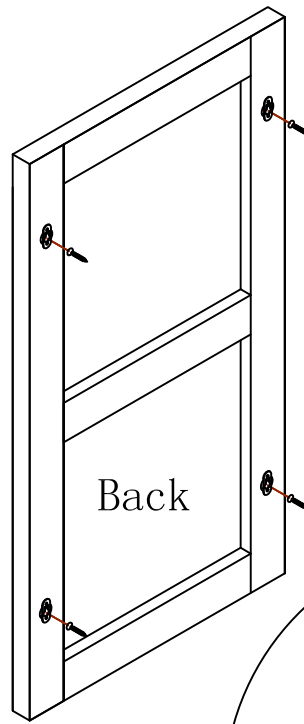
Step 6



Step 7



Step 8



Finished

